

## DH-CA-FW171G

### 600TVL HDIS Day/Night Waterproof IR-Bullet Camera



#### Features

- > 1/3" HDIS
- > High resolution of 600TVL(Color)
- > Day/Night(ICR), ATW, AGC, BLC
- > 6mm fixed lens (2.8 mm, 3.6mm, 8mm optional)
- > Max. IR LEDs length 20m, Smart IR
- > IP66, DC12V

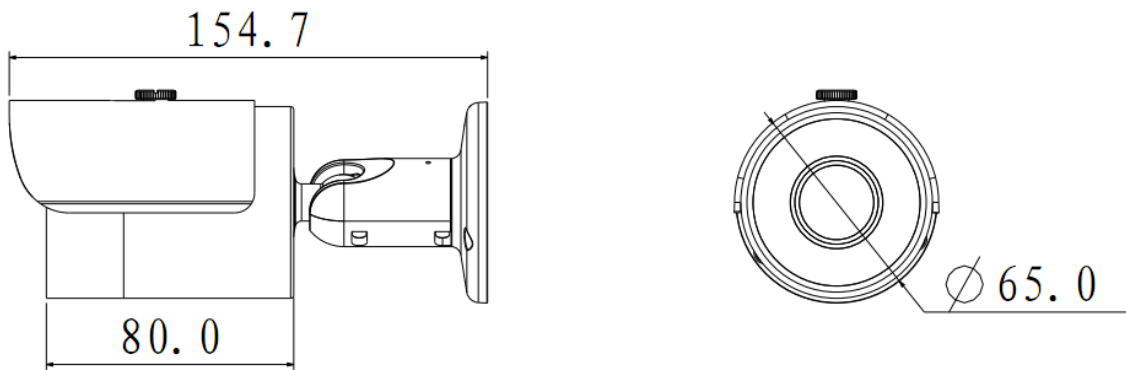
# DH-CA-FW171G

## Technical Specifications

| Model                  | DH-CA-FW171GP                     | DH-CA-FW171GN    |
|------------------------|-----------------------------------|------------------|
| <b>Camera</b>          |                                   |                  |
| Image Sensor           | 1/3" HDIS                         |                  |
| Effective Pixels       | 720(H) x480(V)                    |                  |
| Horizontal Resolution  | Color: 600TVL                     |                  |
| Electronic Shutter     | 1/50s~1/100,000s                  | 1/60s~1/100,000s |
| Synchronization        | Internal                          |                  |
| Min. Illumination      | 0.1Lux@F1.2(0Lux IR LED on)       |                  |
| S/N Ratio              | > 60dB(AGC Off)                   |                  |
| Video Output           | 1Vp-p Composite Output (75Ω/BNC)  |                  |
| <b>Camera Features</b> |                                   |                  |
| Max. IR LEDs Length    | 20m, Smart IR                     |                  |
| Day/Night              | Auto(ICR) / Color / B/W           |                  |
| Backlight Compensation | BLC                               |                  |
| White Balance          | Auto                              |                  |
| Gain Control           | Auto                              |                  |
| <b>Lens</b>            |                                   |                  |
| Focal length           | 6mm (2.8 mm, 3.6mm, 8mm optional) |                  |
| Mount Type             | M12                               |                  |
| <b>General</b>         |                                   |                  |
| Power Supply           | DC12V±10%                         |                  |
| Power Consumption      | Max 3W                            |                  |
| Working Environment    | -30°C~+60°C / 20%~80%RH           |                  |
| Ingress Protection     | IP66                              |                  |
| Dimensions(W×D×H)      | Φ65mm x154.7mm                    |                  |
| Weight                 | 380g                              |                  |
| Others                 | Default: bracket included         |                  |

## DH-CA-FW171G

### Dimensions (mm)



---

#### Dahua Technology Co., Ltd.

1187 BinAn Road, Binjiang District, Hangzhou, China

Tel: +86-571-87688883

Fax: +86-571-87688815

Email: [overseas@dahuatech.com](mailto:overseas@dahuatech.com)

[www.dahuatech.com](http://www.dahuatech.com)

\*Design and specifications are subject to change without notice.

© 2012 Dahua Technology Co., Ltd.